

Abrasive Cutting

CF450S

Three cutting mode



Instruction

Model no.: CF450S

Wide window

Strong and elastic
4.5mm plexiglass
Easy to check during
operation

Y axis cutting mode

Feeding set travel in Y axis
↙ ↗ for cutting

Vise with patent right

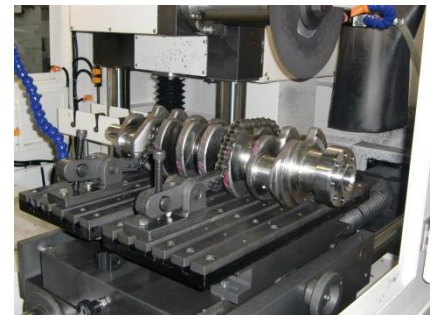
Quick dual vises with
powerful clamping force

Cutting Chamber

Enclosed space
offer stable and
quiet operating

Color touch panel

Easy and clear
Programmable Logic
Controller



Features




Model	Description
Protection function of cutting load	Stop feeding automatically while overload. Start feeding automatically after machine is reset.
Adjustable rotational speed	Variable rotational speed 2100 RPM±50% (60Hz) or 1650 RPM±50% (50Hz)

Option



Vent allow to install ventilation equipment

Option

Magnetic filtration coolant system	Paper filtration coolant system	Paper + Magnetic filtration coolant system
		



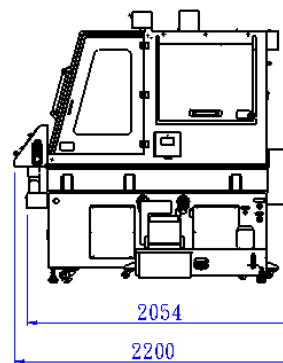
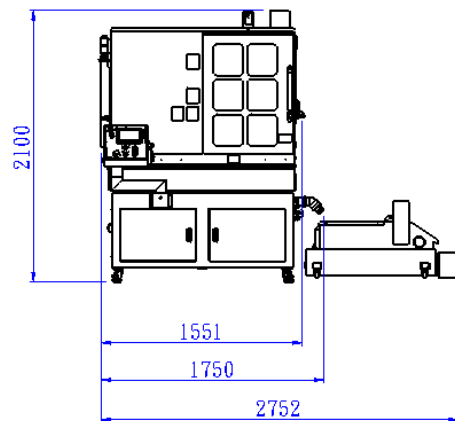
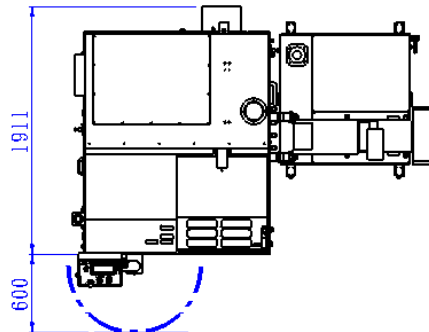
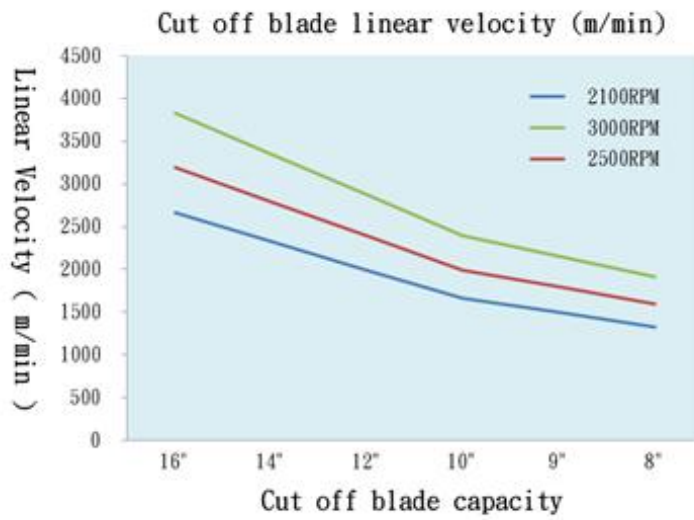
TOP TECH

Specification

Model no.	450S	
Travel distance	Y:450mm	Z:250mm
Motor power	15HP (12000W)	
Cutting capacity	Max. \varnothing 150 mm	
Cut off wheel	Max. \varnothing 508 x \varnothing 31.75(\varnothing 32) mm	
Flange	\varnothing 85 、 \varnothing 100 、 \varnothing 120 、 \varnothing 140 mm	
Feeding method (Automatic)	Automatic: button control/ Home point return after cutting	
Rotational speed	2100RPM(60Hz) / 1650RPM(50Hz)	
T slot table	500x450 mm	
Vise specification (WxD)	50x85 mm	
Cutting mode	Table travel in Y axis & Spindle travel in Z axis (Option- multistep cutting)	
Feeding set	Can be adjusted in X-axis 40 mm	
Other	Laser mark	
Coolant pump	1/4 HP (190W)	
Machine dimension (WxDxH)	1750x2200x2100 mm	
Power supply	3 \varnothing - AC 220V/380V /415V/440V (Special voltage can customized)	
Standard accessories	Spanner 2pc 、 Cut off wheel 2pc	
	Coolant 6L	

Parameter

For reference only

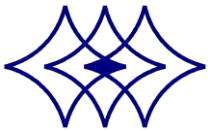




Consumables

Abrasive wheel

Order No.	Materials	Model no.	Diameter*Arbor*Thickness	MOQ
S02A0302	Alloy tool steels SKS、SKD、SKT 、SUP heat treatment metal	CK260(3/5HP) CK360(5HP)	12" (Ø305XØ31.75X1.2)	10
S02B0302A	Ordinary carbon steel、mechanical structural steel S-C series、tool steel、soft steel SS series	CK260(3/5HP) CK360(5HP)	12" (Ø305XØ31.75X1.5)	10
S02C0302	Special alloy steel、 high-speed steel and other heat treatment components	CK260(3/5HP) CK360(5HP)	12" (Ø305XØ31.75X1.2)	10
S02D0302	Ordinary cast iron FC for casting	CK260(3/5HP) CK360(5HP)	12" (Ø305XØ31.75X1.2)	10
S02D1102B	Ordinary cast iron FC for casting	CK260(3/5HP) CK360(5HP)	12" (Ø305XØ32X1.2)	10
S02E0302	Non-iron metals、copper alloy	CK260(3/5HP) CK360(5HP)	12" (Ø305XØ31.75X1.2)	10
S02F0302	Bakelite、Plastic、sapphire	CK260(3/5HP) CK360(5HP)	12" (Ø305XØ31.75X1.2)	10
S02N12AD	Alloy tool steels SKS、SKD、SKT 、SUP heat treatment metal	CK260(3/5HP) CK360(5HP)	12" (Ø300XØ32X2)	10
S02N12ATC	Alloy tool steels、 Heat treatment metal	CK260(3/5HP) CK360(5HP)	12" (Ø300XØ32X2)	10
S02N12ATS	Ordinary carbon steel、mechanical structural steel S-C series、tool steel、soft steel SS series	CK260(3/5HP) CK360(5HP)	12" (Ø300XØ32X2)	10
S02A0504	Alloy tool steels SKS、SKD、SKT 、SUP heat treatment metal	CK360(7.5HP) CK460 (10HP)	16" (Ø400XØ31.75X3)	10
S02B0504A	Ordinary carbon steel、mechanical structural steel S-C series、tool steel、soft steel SS series	CK360(7.5HP) CK460 (10HP)	16" (Ø405XØ31.75X3)	10
S02C0504	Alloy tool steels SKS、SKD、SKT 、SUP heat treatment metal	CK360(7.5HP) CK460 (10HP)	16" (Ø400XØ31.75X3)	10



TOP TECH

S02D0504	Ordinary cast iron FC for casting	CK360(7.5HP) CK460 (10HP)	16" (Ø400XØ31.75X3)	10
S02E0504	Non-iron metals 、copper alloy	CK360(7.5HP) CK460 (10HP)	16" (Ø400XØ31.75X3)	10

Consumables

Abrasive wheel

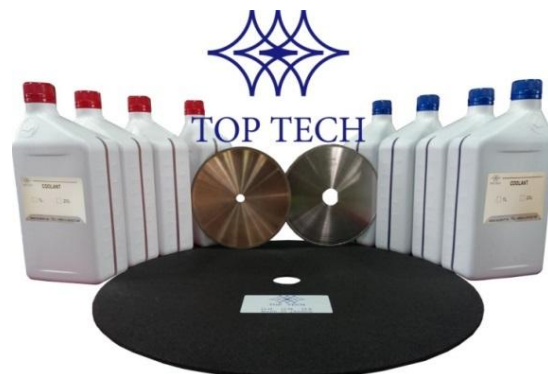
Order No.	Materials	Model no.	Diameter*Arbor*Thickness	MOQ
S02F0504	Bakelite 、Plastic 、Sapphire	CK360(7.5HP) CK460 (10HP)	16" (Ø400XØ31.75X3)	10
S02N16AD	Special alloy steel 、 high-speed steel and other heat treatment components	CK360(7.5HP) CK460 (10HP)	16" (Ø400XØ32X3)	10
S02N16ATC	Alloy tool steels SKS 、SKD 、SKT 、SUP heat treatment metal	CK360(7.5HP) CK460 (10HP)	16" (Ø400XØ32X3)	10
S02N16ATS	Ordinary carbon steel 、mechanical structural steel S-C series 、tool steel 、soft steel SS series	CK360(7.5HP) CK460 (10HP)	16" (Ø400XØ31.75X3)	10

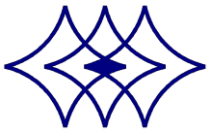
Coolant

Order No.	Specification	Capacity	Features	Remark
S01002	Coolant	1L	Creamy and high oil content	

Remark: Welcome to get the more detail information of consumables in the follow link

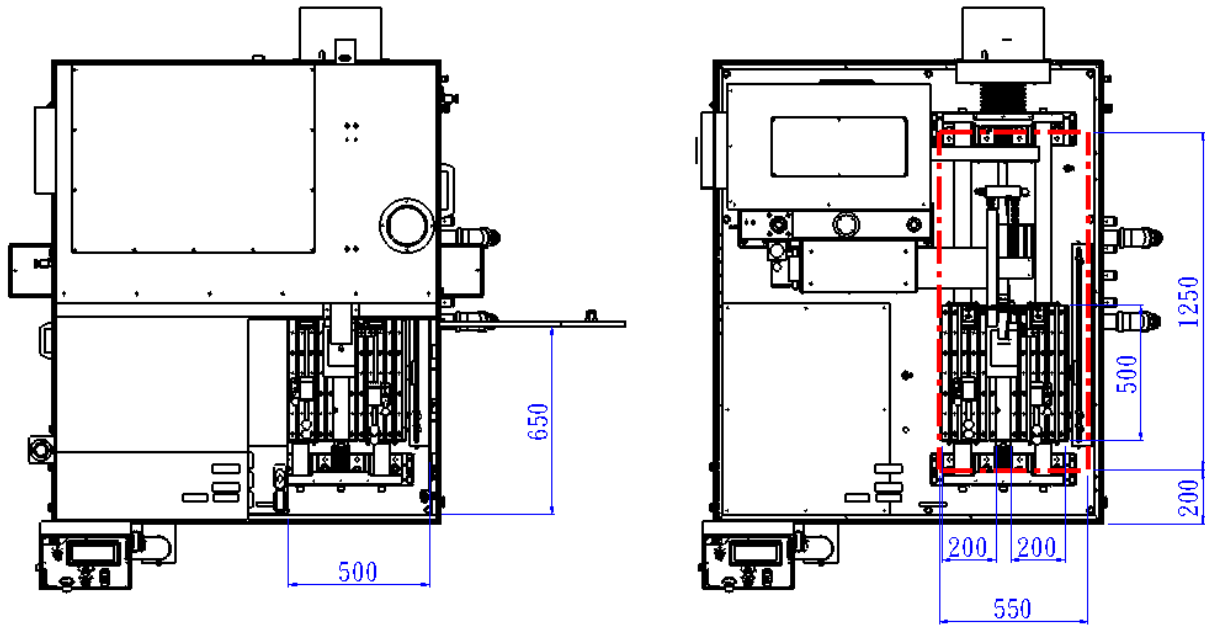
<http://toptech.synology.me/Consumables/Cutting.pdf>

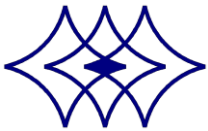




TOP TECH

Appendix - Cutting Chamber Capacity





TOP TECH

*Perfect Surface.
Always*

Cutting / Mounting / Grinding & Polishing / Spin Coater

TOP TECH MACHINES CO.,LTD

No.6-3,Siayuan Rd.,Dali,Taichung,412 Taiwan

Tel:886-4-24061658

Fax:886-4-24073200

<http://www.toptech.tw>

<http://toptech.sniapp.com>

E-mail: top@toptech.tw

Agent:



We reserve the right to change design without notice.

NO.A16-01

<http://www.toptech.tw>